

The **Model G/LL43** series vertical spiral gauge is a mechanically operated liquid level gauge.

The gauge is mounted vertically from the top of the tank so as the liquid level changes, the float follows that change and uses a magnetic coupling to transfer that motion from the float to the level indicator dial.

The gauge is completely sealed so there is no risk of the tank contents leaking through the gauge header.

The gauge can also be fitted with an electrical interfacing dial indicator, as well as indicators with set switching points.



Specification

Fluid Types:

Fluids compatible with the construction materials

Dimensions:

See below

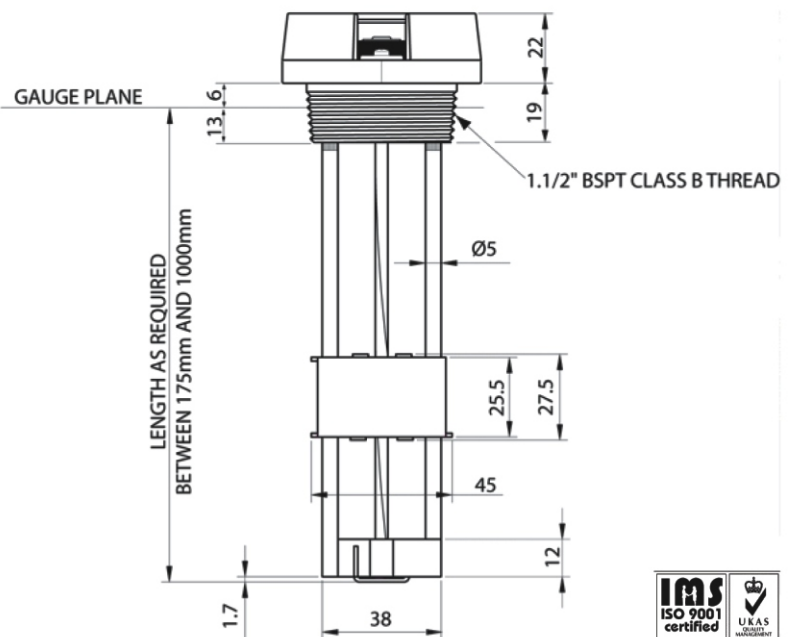
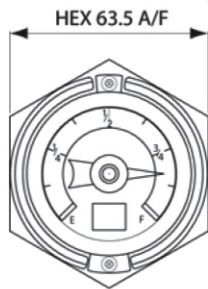
Environmental Ratings:

Temperature - operating: -15°C to 66°C
 - storage: -40°C to 85°C
 Vibration test: 0.35mm at 0-10,000rpm on each the 3 major axes

Construction:

Header: Zinc alloy
 Guide rails and foot bar: 316 stainless steel
 Spiral drive: Brass
 Float: Polypropylene
 Dial capsule: Polycarbonate

Pressure - differential: 290 psi
 - burst: >4000 psi
 Shock test: 50g in both directions on each of the 3 major axes



Available from:

GTS
 Gauges Transmitters Switches Pty Ltd
 Unit 5/9 Elmsfield Road
 Midvale WA 6056

Ph: 08 9250 4400
 Fax: 08 9250 4500
 email: sales@gtsgauges.com.au
 www.gtsgauges.com.au